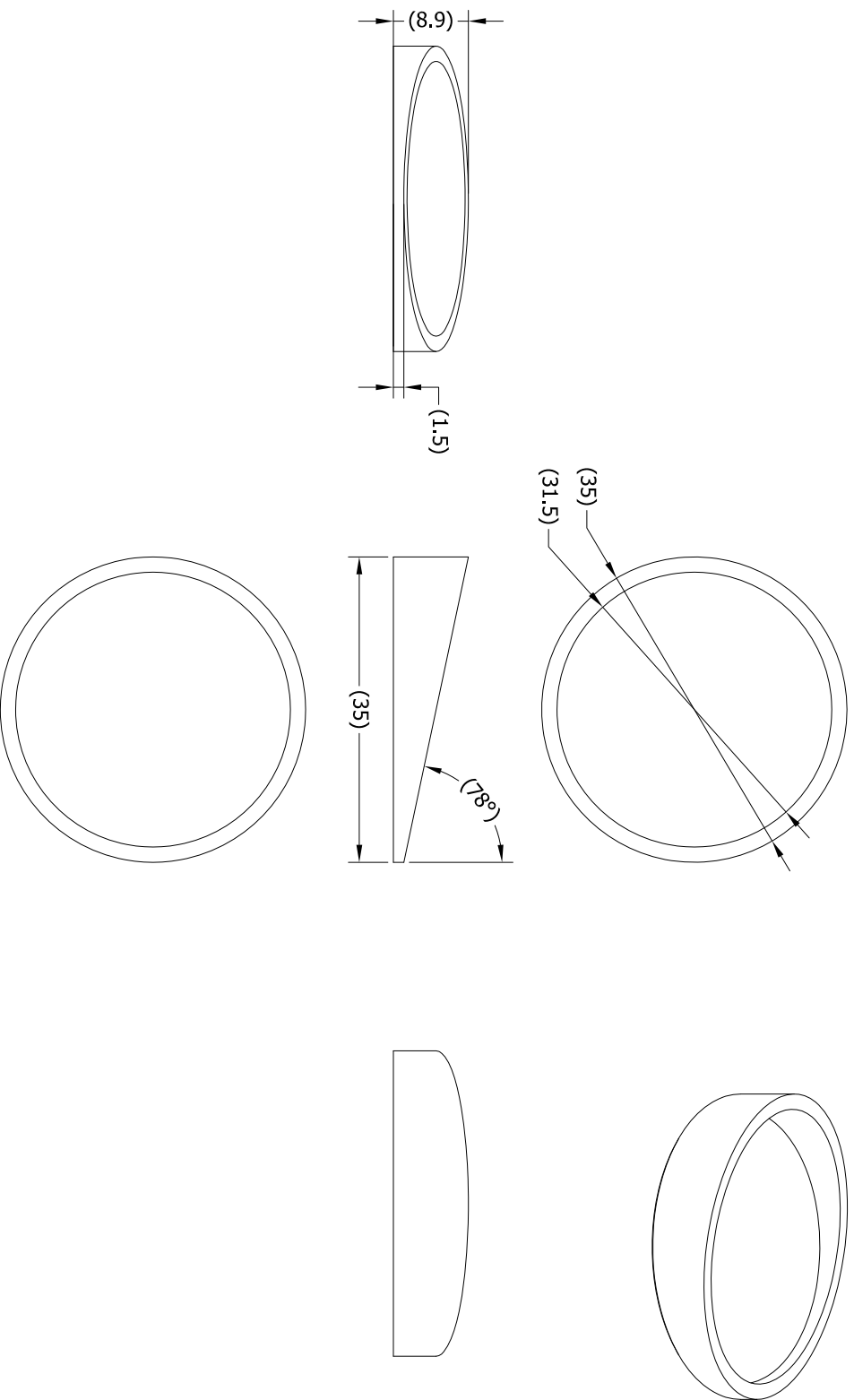


Revision Notes			
R1 -			
APPA: -	Drawn: -	Checked: -	Approved: -
			Date: -



- NOTES:**
1. FINISH IS BLACK SPRAY.
 2. MATERIAL IS ALUMINUM.

PROPRIETARY NOTICE
 THIS DESIGN AND TECHNICAL INFORMATION APPEARING ON THIS DRAWING IS THE PROPERTY OF BRIGADE ELECTRONICS, AND IS DISCLOSED IN CONFIDENCE. IT IS NOT TO BE COPIED, REPRODUCED, REVEALED TO OR EXPLOITED BY OTHERS, EITHER IN WHOLE OR IN PART WITHOUT THE EXPRESS WRITTEN CONSENT OF BRIGADE ELECTRONICS.



 Third Angle		Assembly PI Approval WENFENG QIN (05/06/14)		Approved by B. JOHN		Checked by RBATES		Drawn by MBUTLER	
Angle of Projection		Units mm		Scale N/A		Released 05/06/14		Assembly Ref -	
Status RELEASED		Part No 4566		VBV-48XC AS		BE-002660-00-13			